



# Installation instructions, accessories

Volvo Car Corporation Gothenburg, Sweden

Instruction No	Version	Part. No.
31414847	1.1	31470917, 31435856

## Tablet holder (Twin Engine)



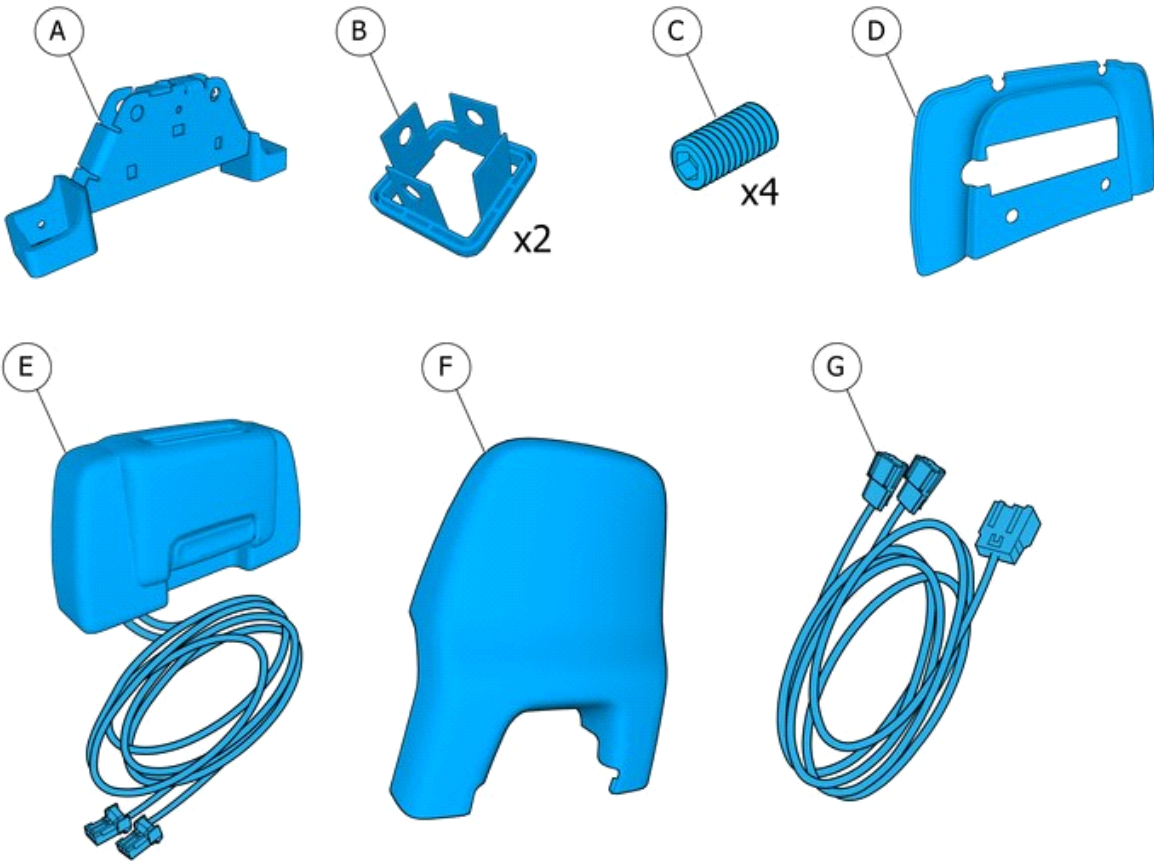
# Installation instructions, accessories

Volvo Car Corporation Gothenburg, Sweden

## Materials

Designation	Part number
Isopropanol	

## Equipment

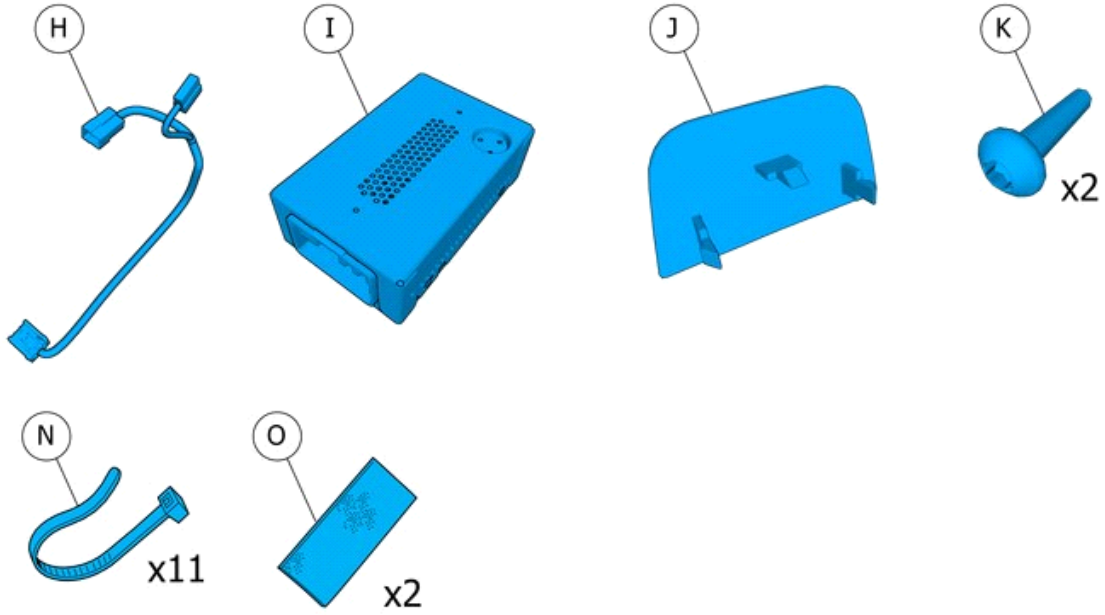


IMG-405832



# Installation instructions, accessories

Volvo Car Corporation Gothenburg, Sweden



IMG-409345



# Installation instructions, accessories

Volvo Car Corporation Gothenburg, Sweden

---

## Information

1

Read through all of the instructions before starting installation.

Notifications and warning texts are for your safety and to minimise the risk of something breaking during installation.

Ensure that all tools stated in the instructions are available before starting installation.

Certain steps in the instructions are only presented in the form of images. Explanatory text is also given for more complicated steps.

In the event of any problems with the instructions or the accessory, contact your local Volvo dealer.

---

## Further information

2

There may be parts in the accessories kit that are not needed for this installation.

**This instruction covers a Plug-In Hybrid vehicle.**

3



IMG-373194

**Warning!**

Observe caution when working near the high voltage system.

This car is equipped with a high voltage type electrical system.

Components in the high voltage system work with dangerous voltages.

These components are connected with orange wires.

---

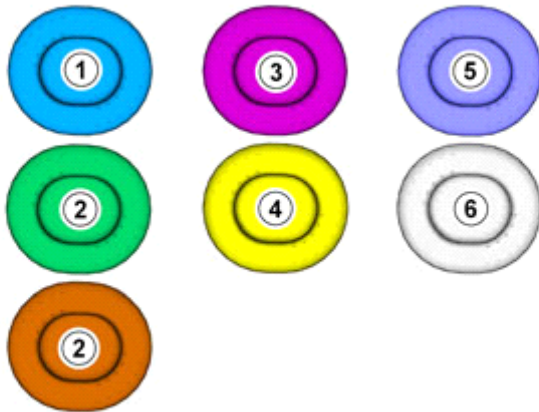
## Color symbols



# Installation instructions, accessories

Volvo Car Corporation Gothenburg, Sweden

4



IMG-363036

## Note!

This colour chart displays (in colour print and electronic version) the importance of the different colours used in the images of the method steps.

- Used for focused component, the component with which you will do something.
- Used as extra colors when you need to show or differentiate additional parts.
- Used for attachments that are to be removed/installed. May be screws, clips, connectors, etc.
- Used when the component is not fully removed from the vehicle but only hung to the side.
- Used for standard tools and special tools.
- Used as background color for vehicle components.

---

## Removal

5

## Note!

The removal steps may contain installation details.

6



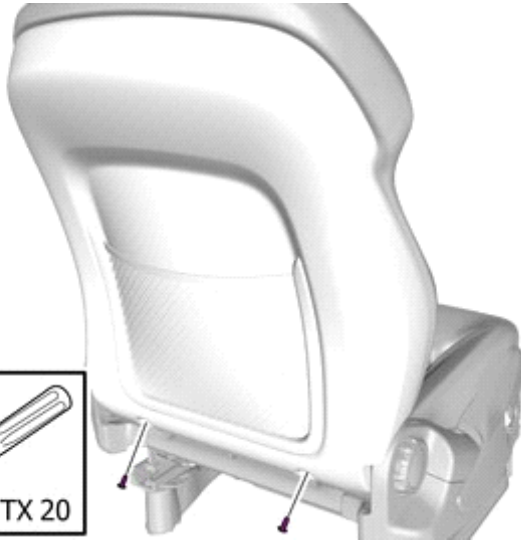
IMG-394500



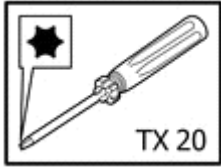
# Installation instructions, accessories

Volvo Car Corporation Gothenburg, Sweden

7

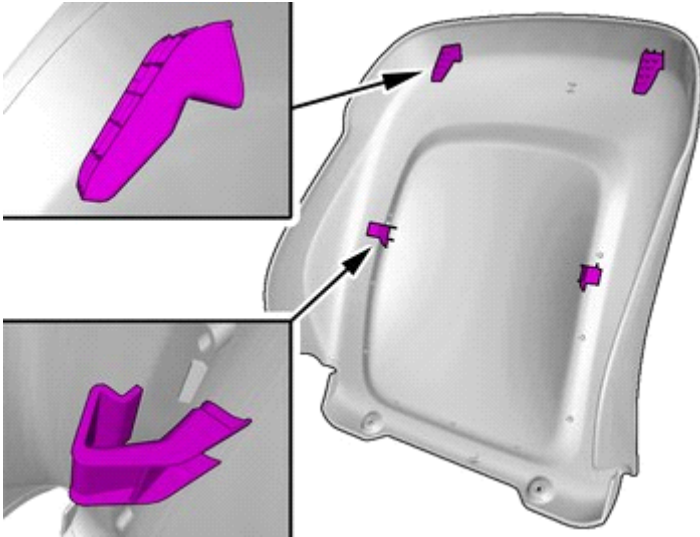


Remove the screws.



IMG-394038

8

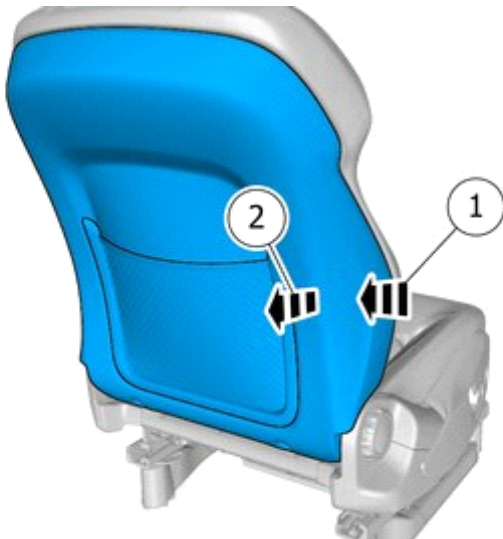


**Note!**

The graphic shows the back of the component before removal.

IMG-394018

9



**Note!**

Perform the procedure one side at a time.

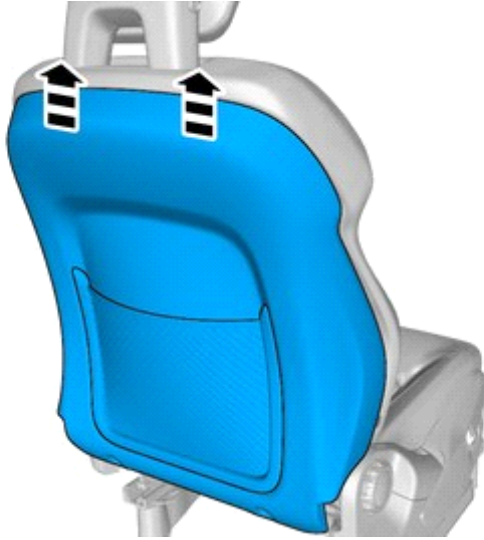
IMG-394039



# Installation instructions, accessories

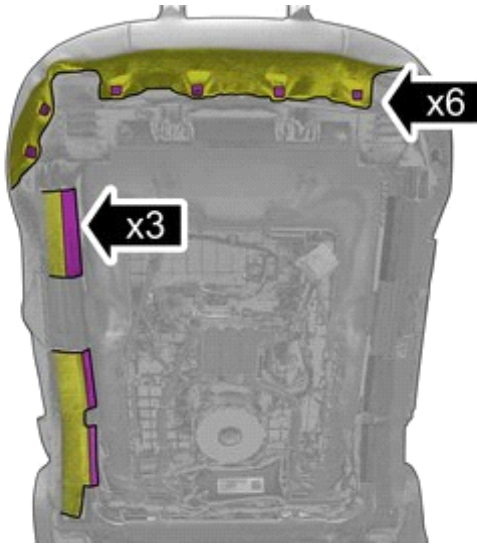
Volvo Car Corporation Gothenburg, Sweden

10



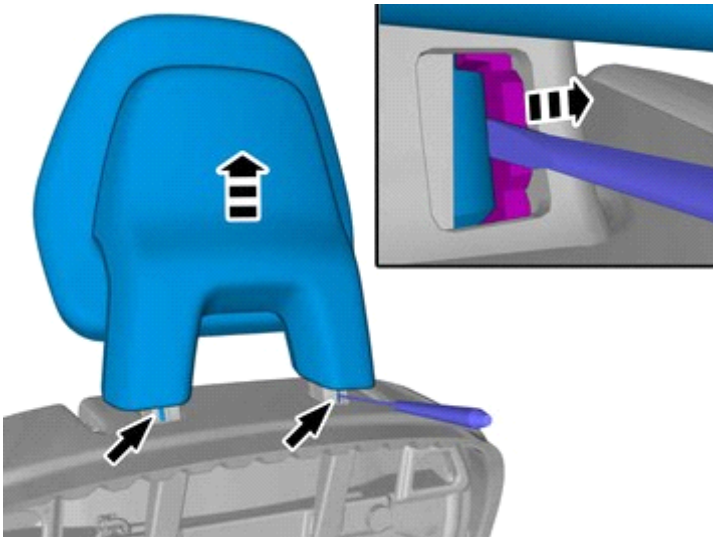
IMG-394056

11



IMG-399420

12



IMG-403590

The image shows seat without upholstery.

Release the locks.

Remove the marked part.

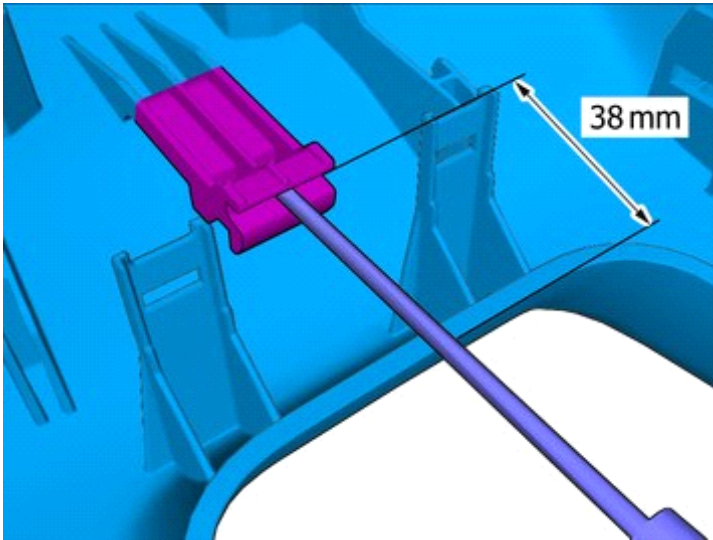




# Installation instructions, accessories

Volvo Car Corporation Gothenburg, Sweden

13

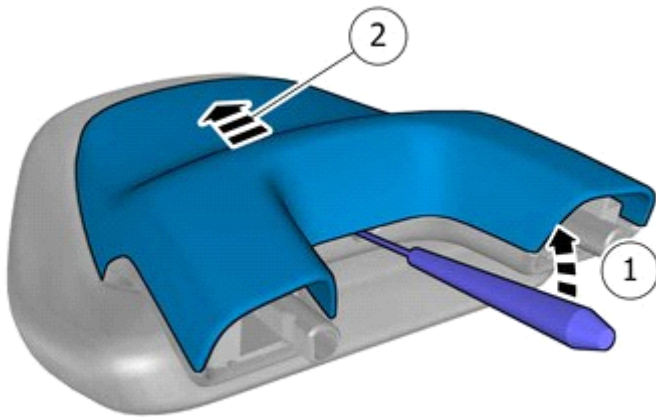


IMG-403751

**Note!**

The graphic shows the back of the component before removal.

14



IMG-403745

## Accessory installation

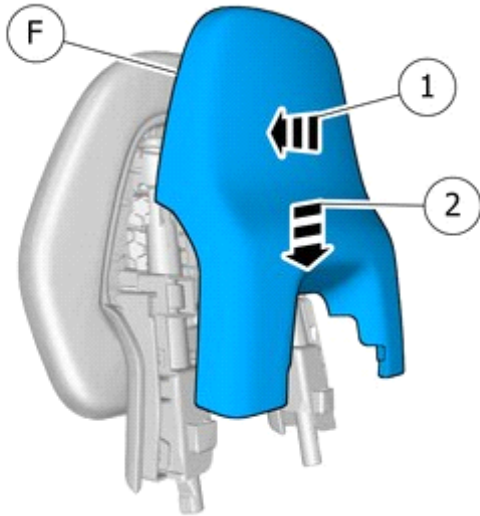




# Installation instructions, accessories

Volvo Car Corporation Gothenburg, Sweden

15

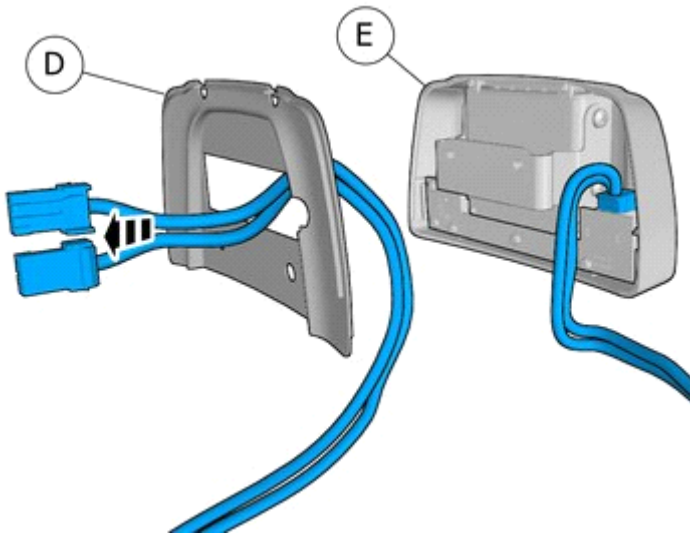


Install component that comes with the accessory kit.

Ensure that all clips engage.

IMG-405590

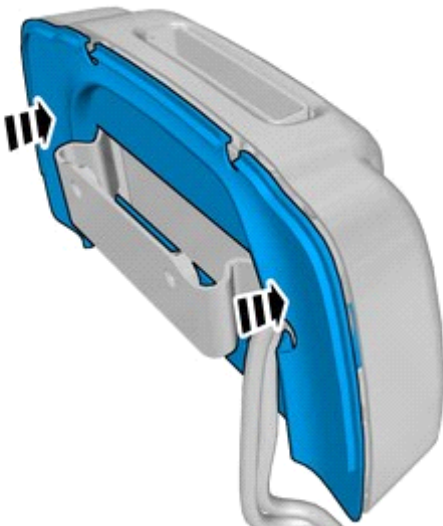
16



Pull the wiring harness through.

IMG-405505

17



Make sure that the gasket is correctly located.

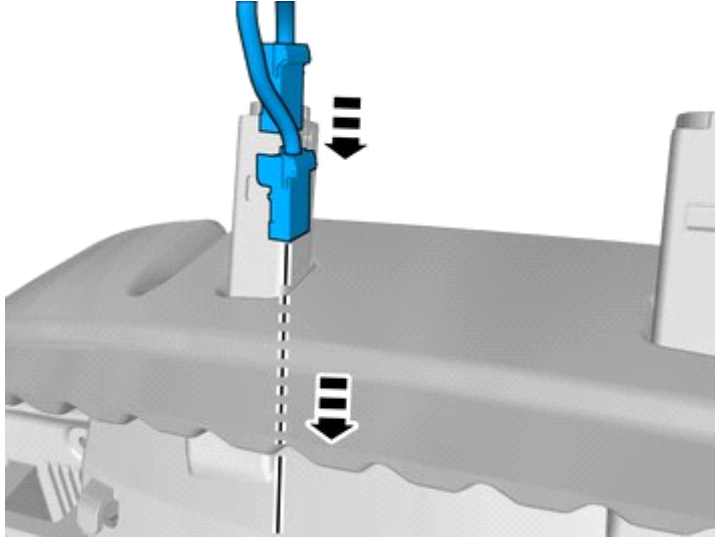
IMG-405495



# Installation instructions, accessories

Volvo Car Corporation Gothenburg, Sweden

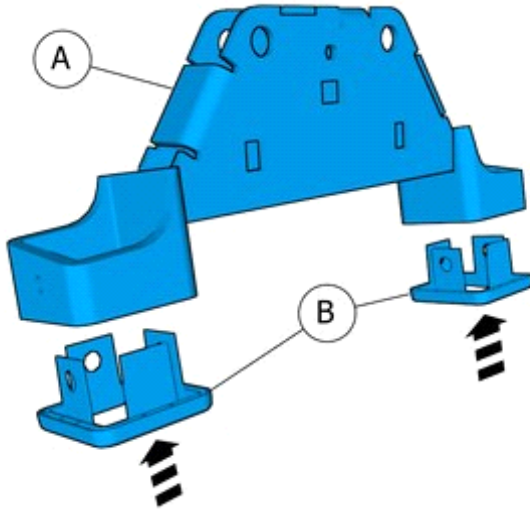
18



IMG-407181

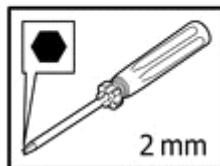
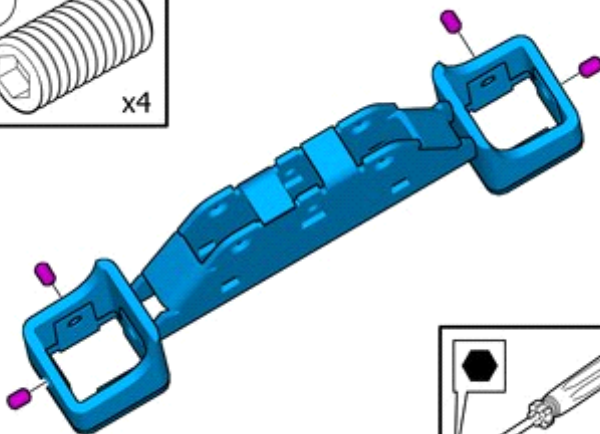
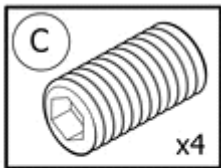
Pull the wiring harness through.

19



IMG-405870

20



**Note!**  
Maximum 2 turns.

Install the screws.

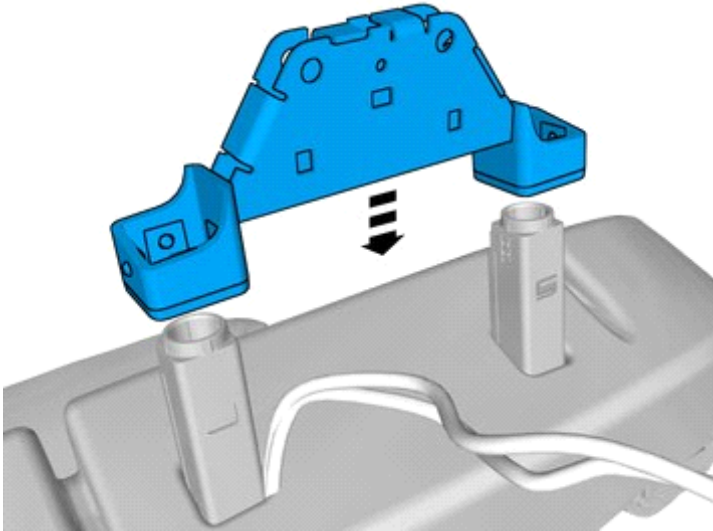
IMG-405800



# Installation instructions, accessories

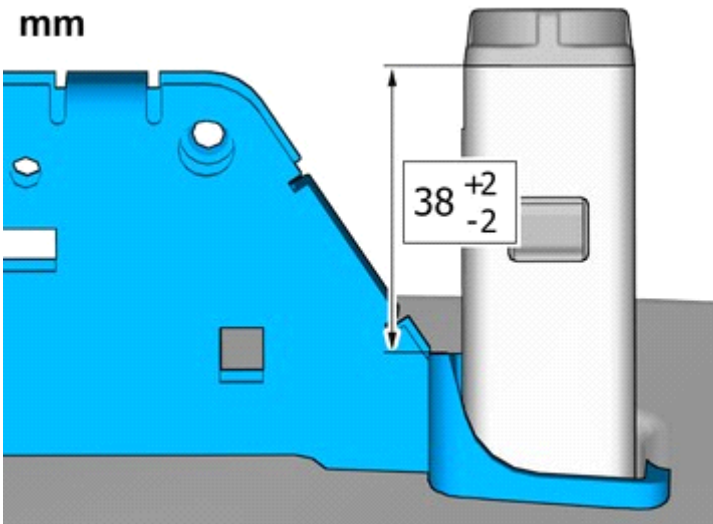
Volvo Car Corporation Gothenburg, Sweden

21



IMG-407172

22



IMG-408170

**Note!**

This step is easier with two people.

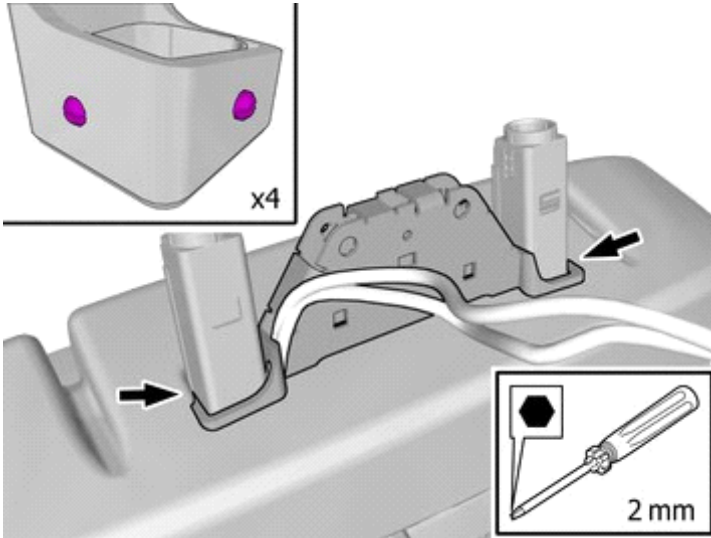
Adjust to the specified value.



# Installation instructions, accessories

Volvo Car Corporation Gothenburg, Sweden

23



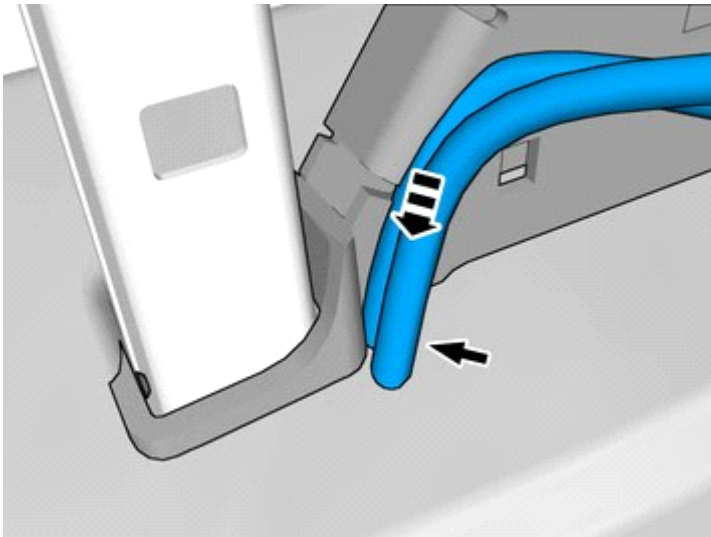
IMG-407175

**Note!**

This step is easier with two people.

Tighten the bolts.

24

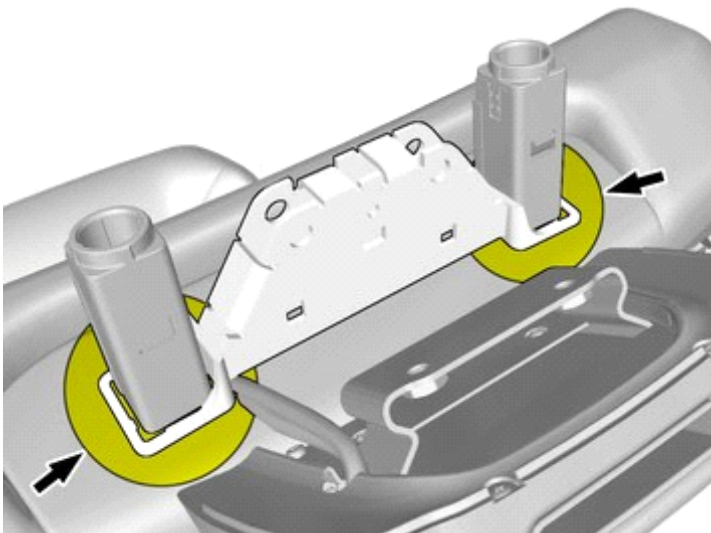


IMG-407176

Pull the wiring harness through.

Position/route the cable harness as illustrated.

25



IMG-406221

**Note!**

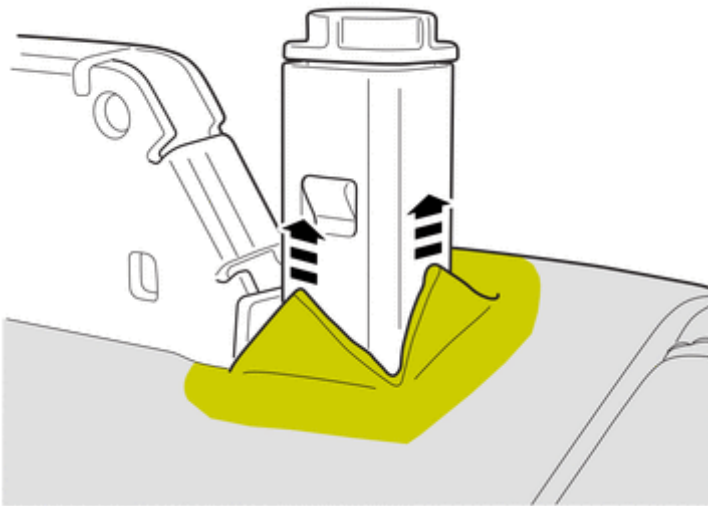
Orientation view



# Installation instructions, accessories

Volvo Car Corporation Gothenburg, Sweden

26

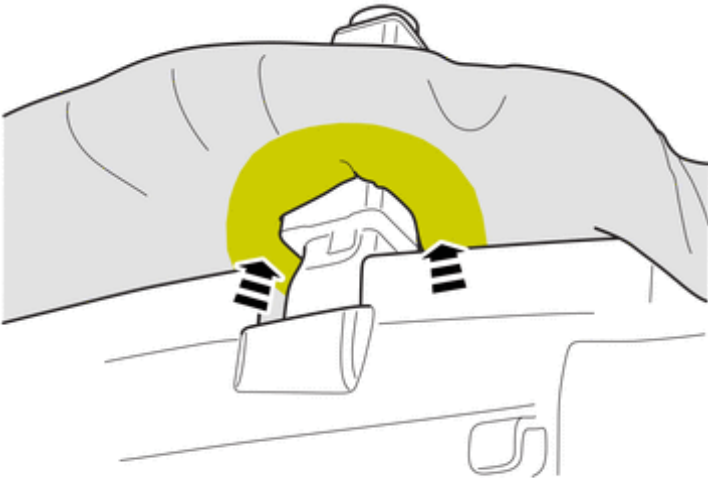


IMG-407340

**Caution!**

Pull up the upholstery to cover lower part of bracket.

27

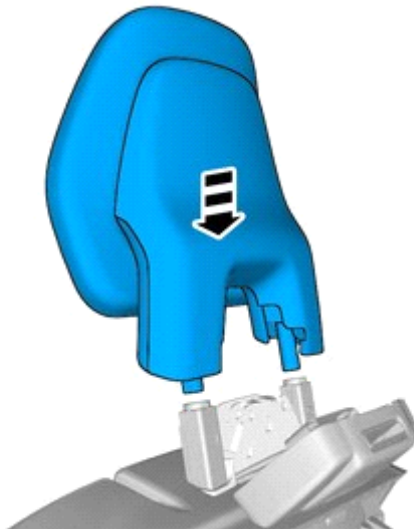


IMG-407341

**Caution!**

Press the foam padding upward against the upholstery.

28



IMG-405592

**Caution!**

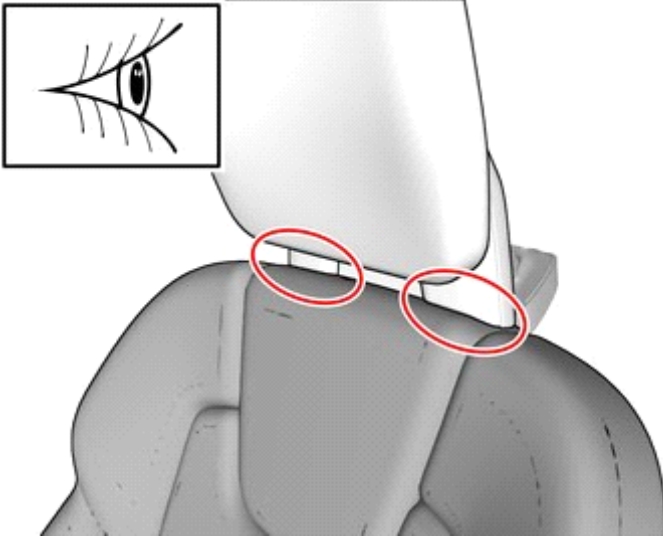
Check that the component has locked in its bottom position.



# Installation instructions, accessories

Volvo Car Corporation Gothenburg, Sweden

29



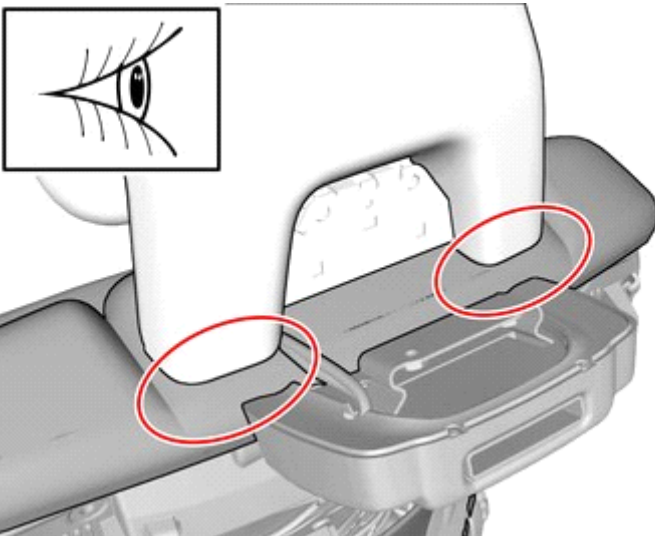
IMG-414067

**Note!**

Make sure that the backrest upholstery touches the head restraint, showing no space in between.

Compare with upholstery and head restraint on the other front seat.

30



IMG-413617

**Note!**

Make sure that the backrest upholstery touches the head restraint, showing no space in between.

Compare with upholstery and head restraint on the other front seat.

If adjustment is necessary, follow the procedure described in the method step below.

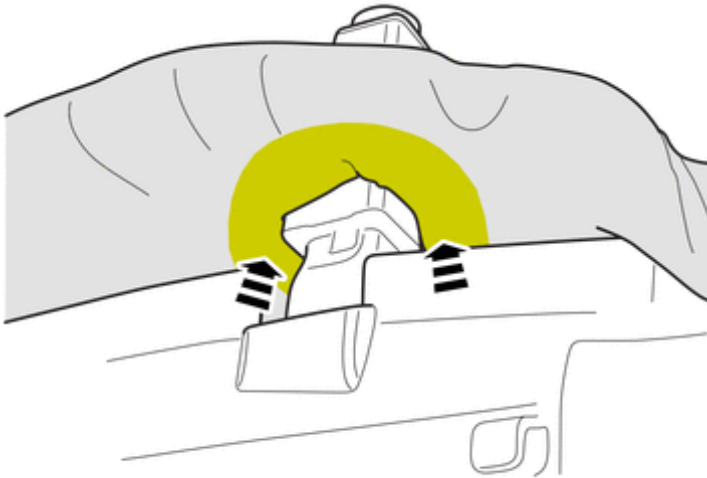




# Installation instructions, accessories

Volvo Car Corporation Gothenburg, Sweden

31

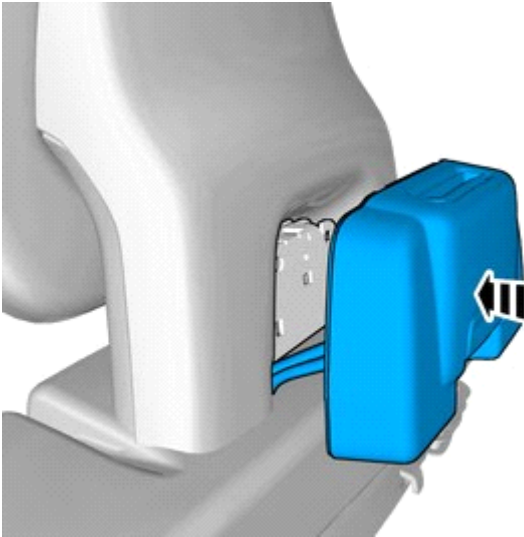


IMG-407341

**Caution!**

Press the foam padding upward against the upholstery.

32

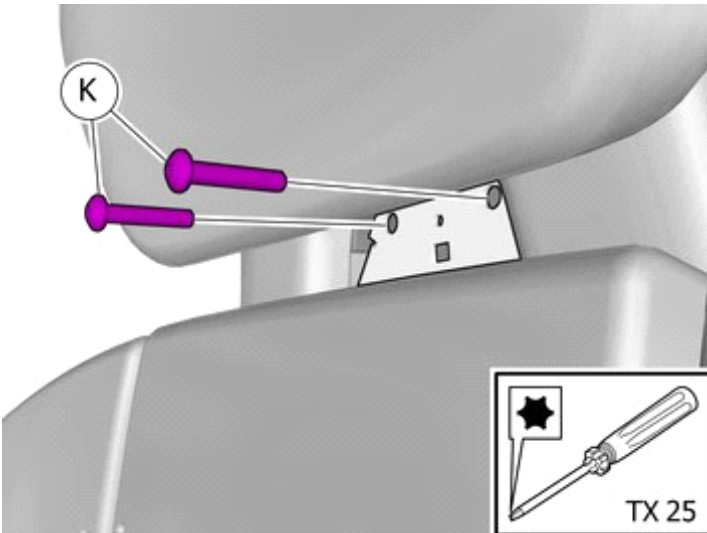


IMG-405657

Place the component where indicated in the graphic.

Adjust the position of the wiring harness.

33



IMG-405659

Install the screws.

Make sure that the gasket is correctly located.

Tighten the bolts.

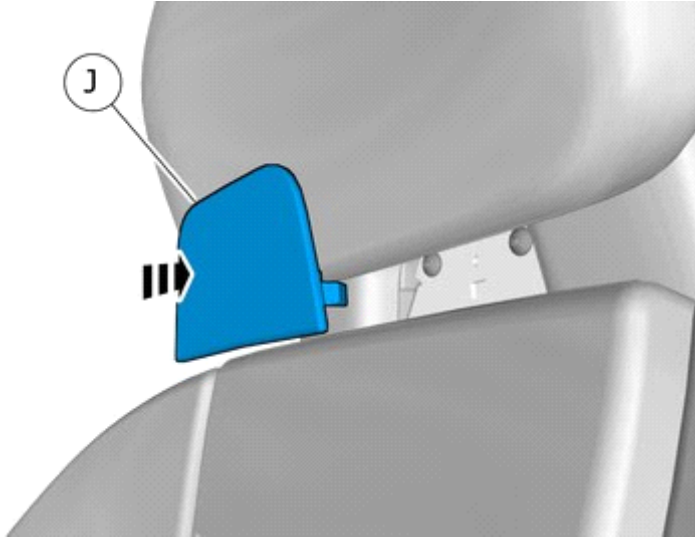




# Installation instructions, accessories

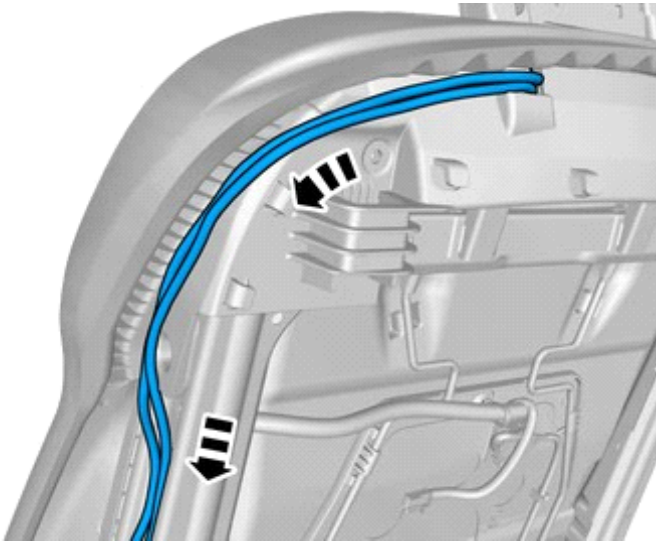
Volvo Car Corporation Gothenburg, Sweden

34



IMG-405660

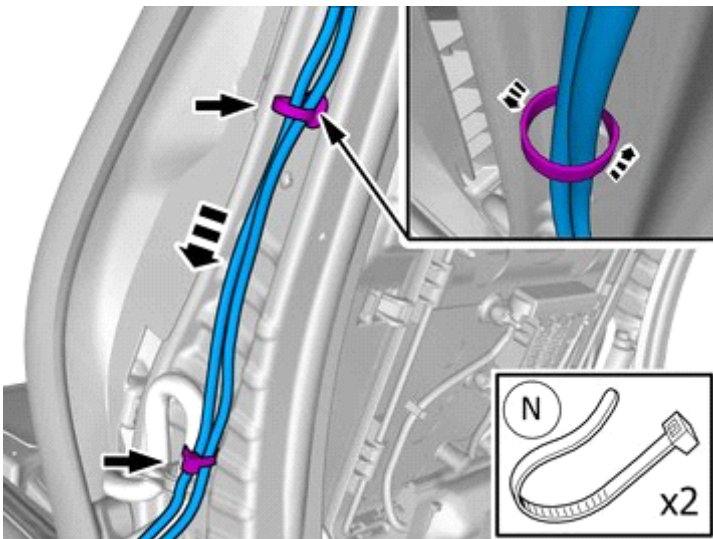
35



IMG-403760

Position/route the cables as illustrated.

36



IMG-403767

Position/route the cables as illustrated.

Install the cables.

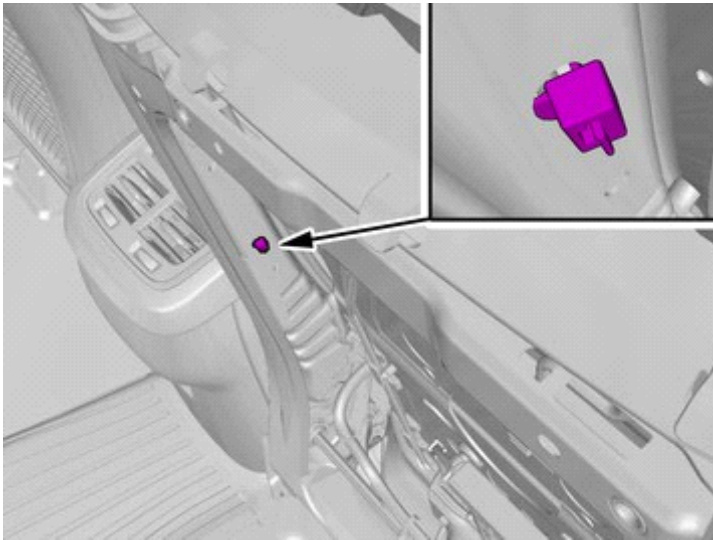
Use a cable tie



# Installation instructions, accessories

Volvo Car Corporation Gothenburg, Sweden

37



IMG-408595

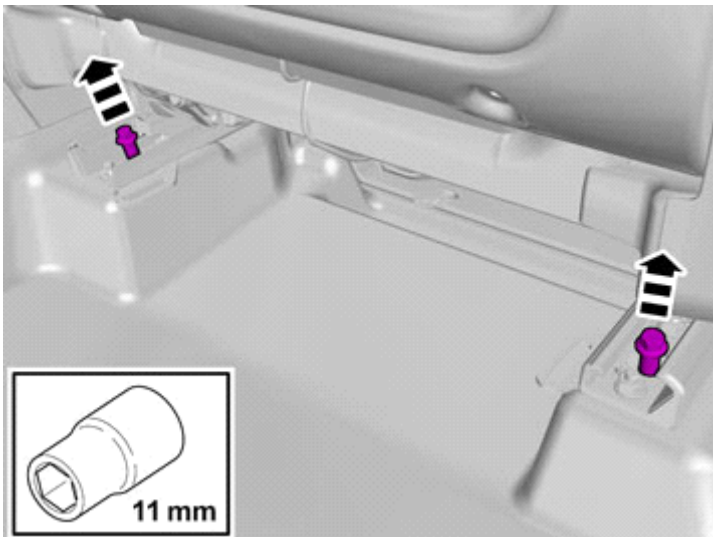
### Note!

Note the position.

Tighten the cable tie.

### Removal

38



IMG-383130

Remove the screws.

**Tightening torque:** Front seat to body , 40 Nm



# Installation instructions, accessories

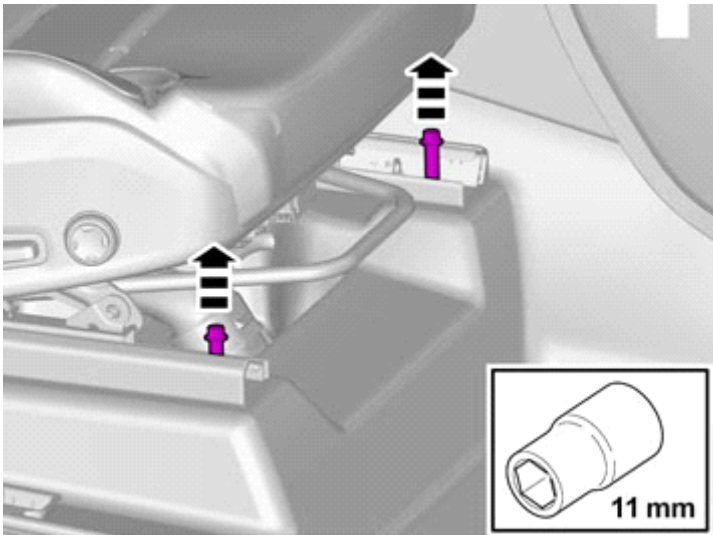
Volvo Car Corporation Gothenburg, Sweden

39



IMG-397249

40



IMG-383129

Remove the screws.

**Tightening torque:** Front seat to body , 40 Nm

41



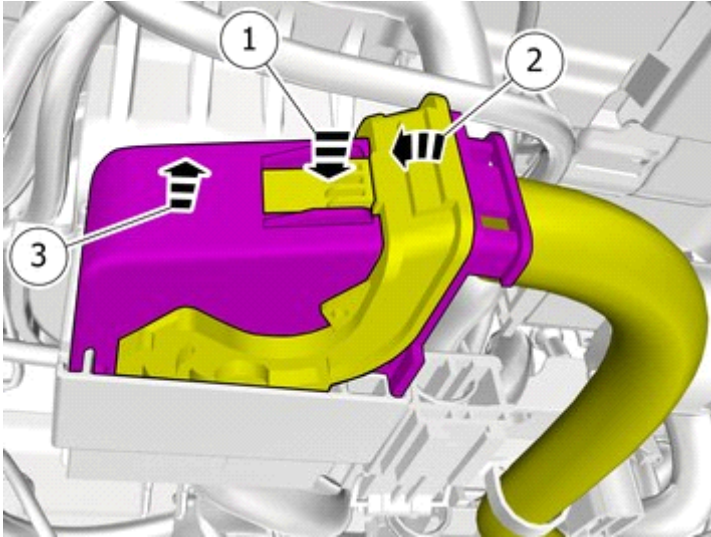
IMG-383134



# Installation instructions, accessories

Volvo Car Corporation Gothenburg, Sweden

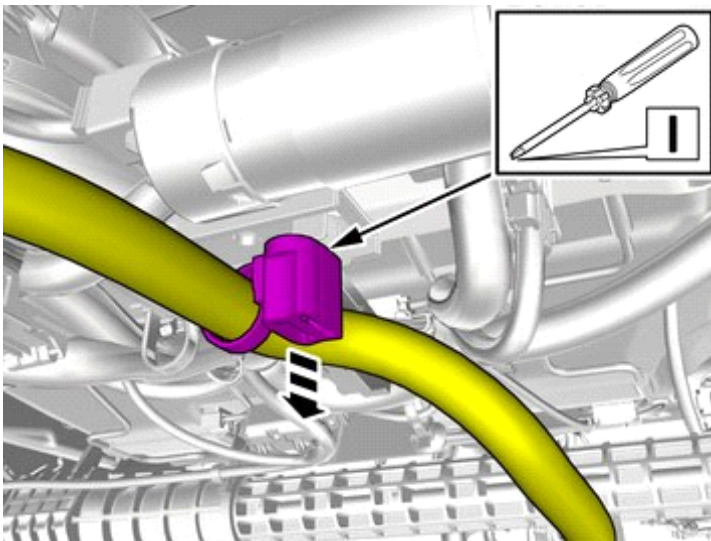
42



IMG-396605

- Release the connector's catch.
- Release the lock.
- Disconnect the connector.

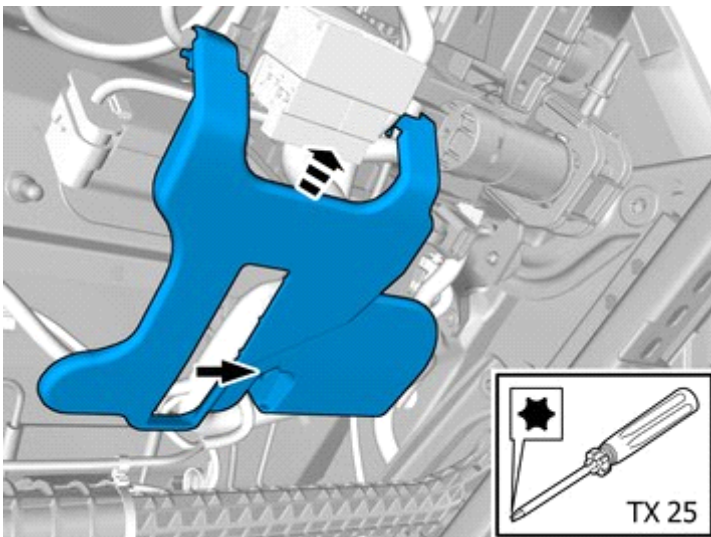
43



IMG-396606

Unhook the cable harness clips.

44



IMG-403720

Remove the marked part.





# Installation instructions, accessories

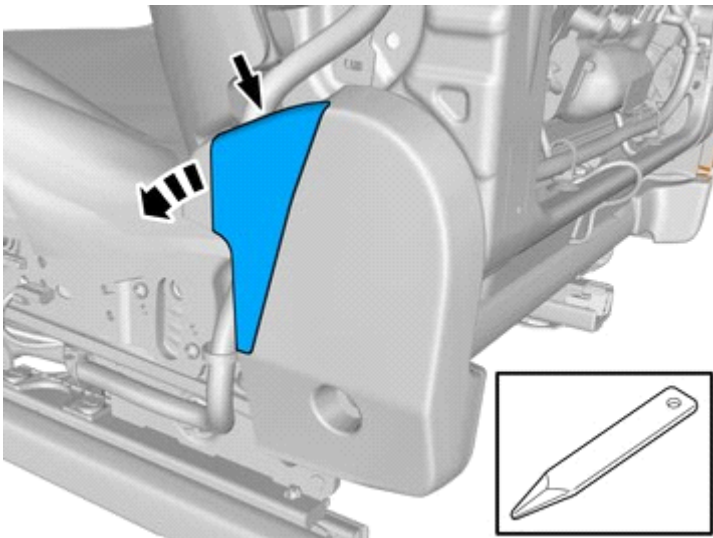
Volvo Car Corporation Gothenburg, Sweden

45



IMG-397252

46



IMG-403778

Remove the marked part.

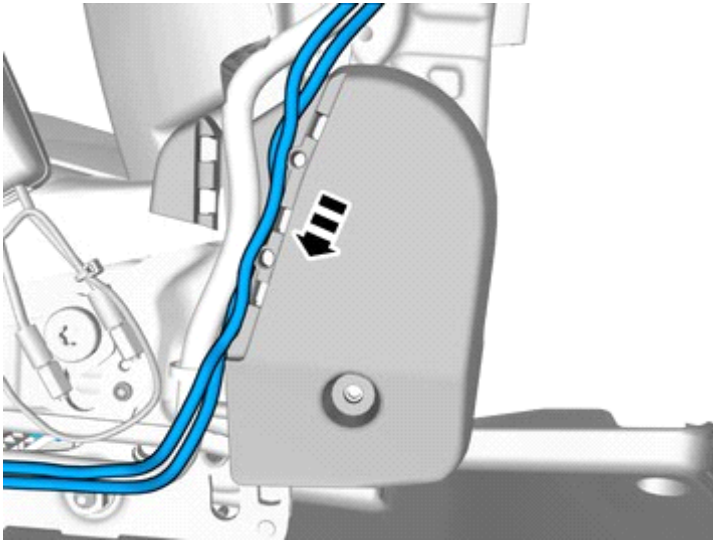
**Accessory installation**



# Installation instructions, accessories

Volvo Car Corporation Gothenburg, Sweden

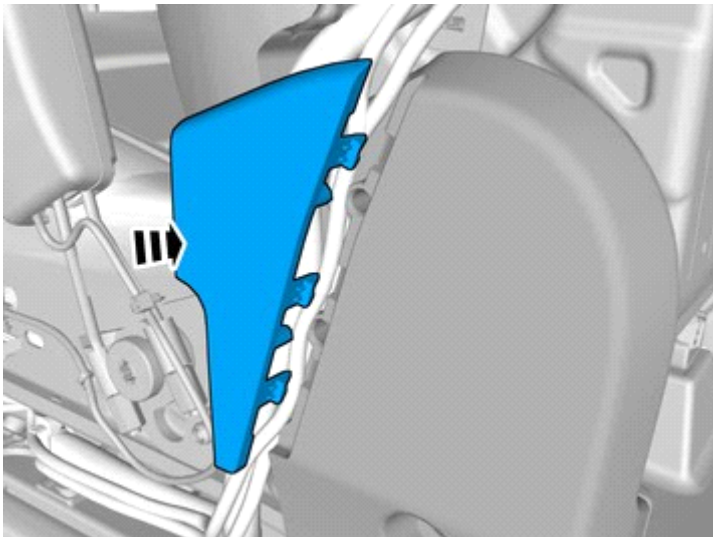
47



IMG-403779

Position/route the cables as illustrated.

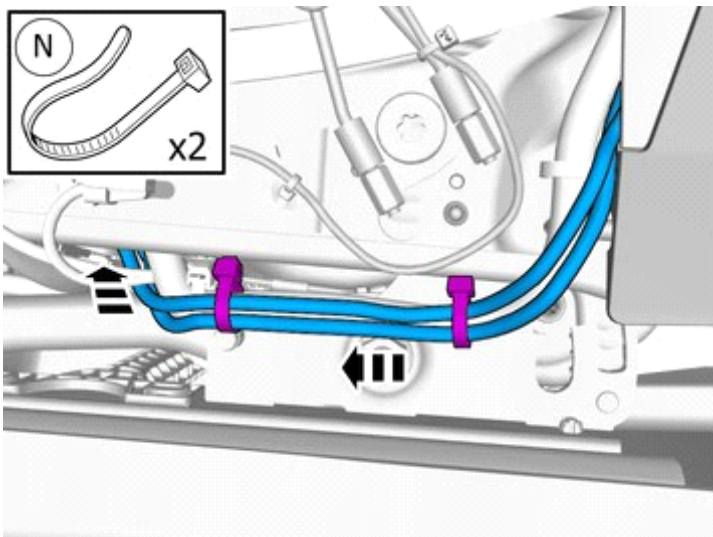
48



IMG-403780

Reinstall the removed part.

49



IMG-403791

Route the wires adjacent to existing wirings.

Install the cables.

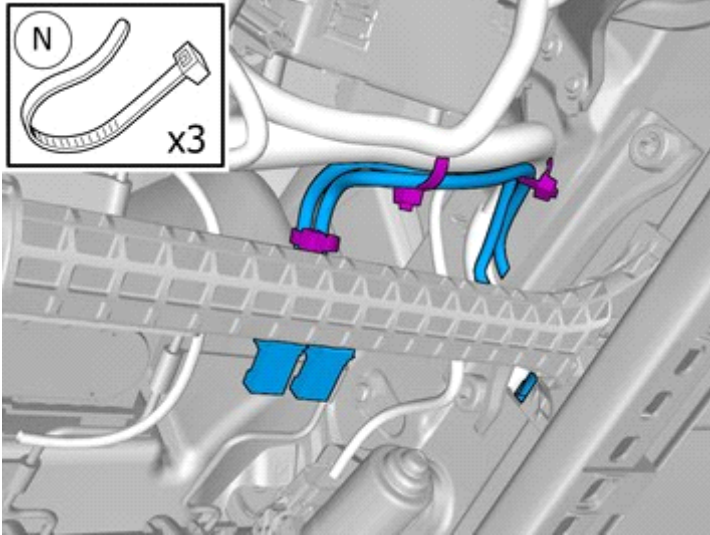
Use a cable tie



# Installation instructions, accessories

Volvo Car Corporation Gothenburg, Sweden

50



IMG-405915

Route the wires adjacent to existing wirings.

Install the cables.

Use a cable tie

## Concerns installation of accessories on both seats

51

Repeat the steps when removing on opposite side.

Repeat the steps when installing accessories on opposite side.

IMG-400000

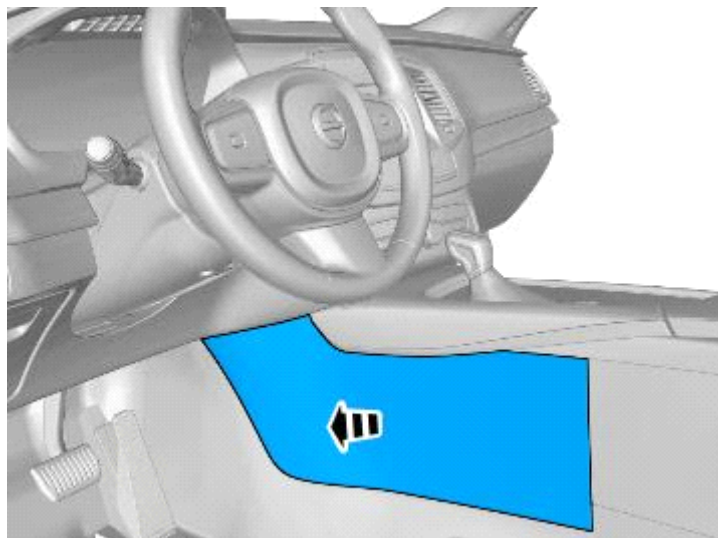




# Installation instructions, accessories

Volvo Car Corporation Gothenburg, Sweden

52



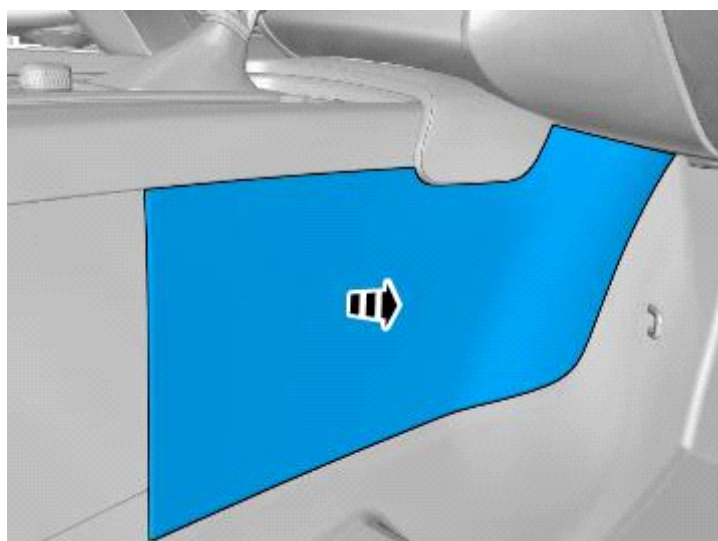
IMG-383708

Remove the marked part.

---

**All vehicles**

53



IMG-383729

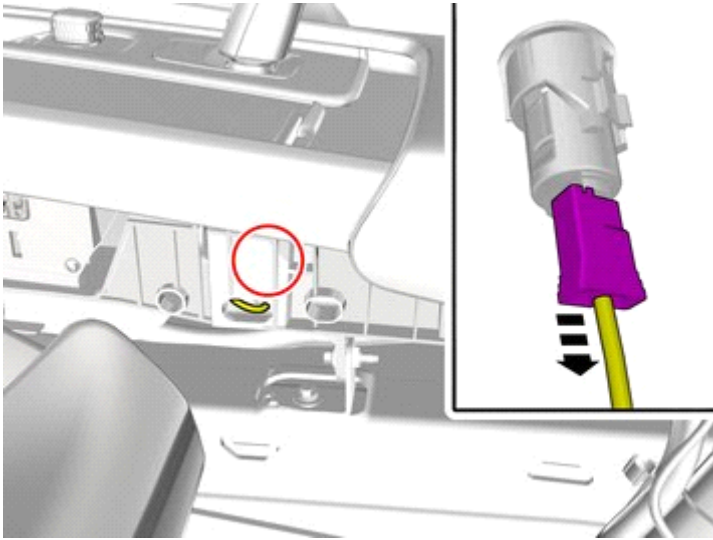
Remove the marked part.



# Installation instructions, accessories

Volvo Car Corporation Gothenburg, Sweden

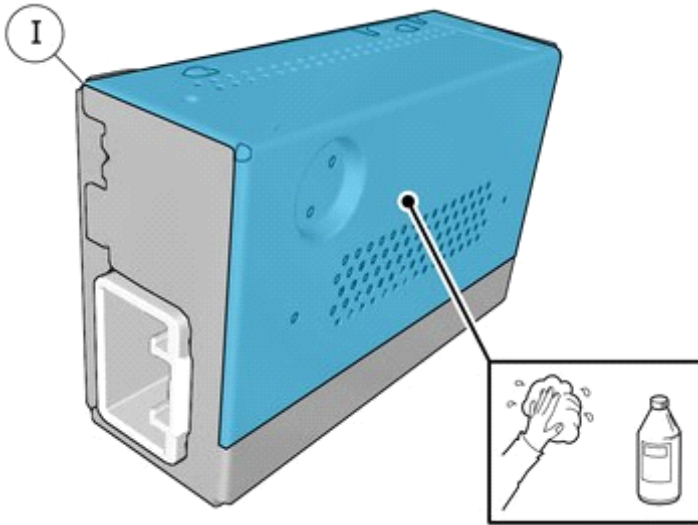
54



IMG-408195

Disconnect the connector.

55

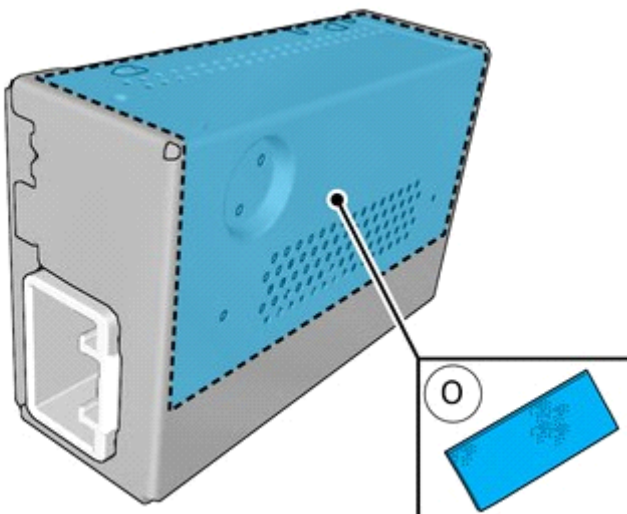


IMG-408100

Clean the surface.

**Use:** , Isopropanol

56



IMG-408095

Install component that comes with the accessory kit.



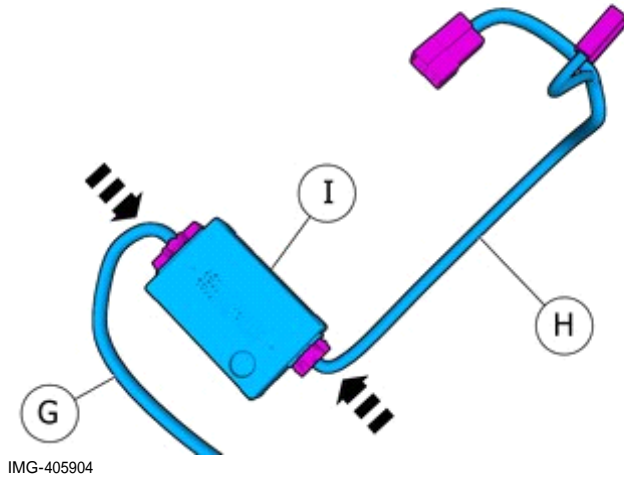
# Installation instructions, accessories

Volvo Car Corporation Gothenburg, Sweden

Concerns installation of one single accessory.

57

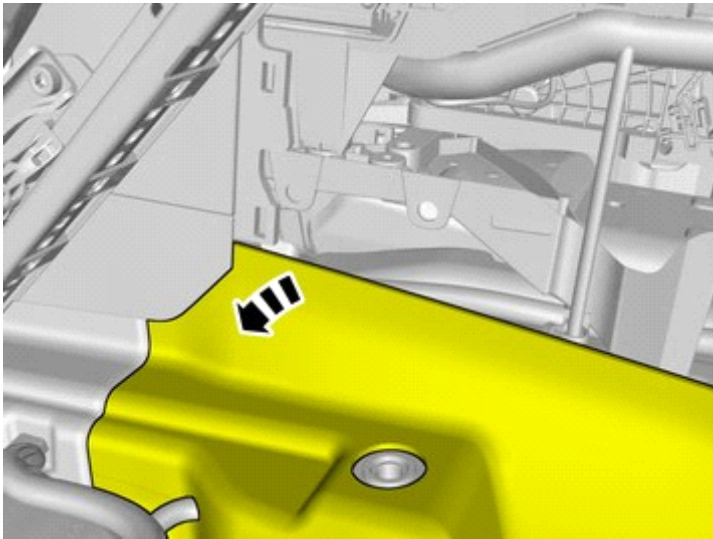
Connect the connectors.



IMG-405904

58

Fold the carpet to the side.



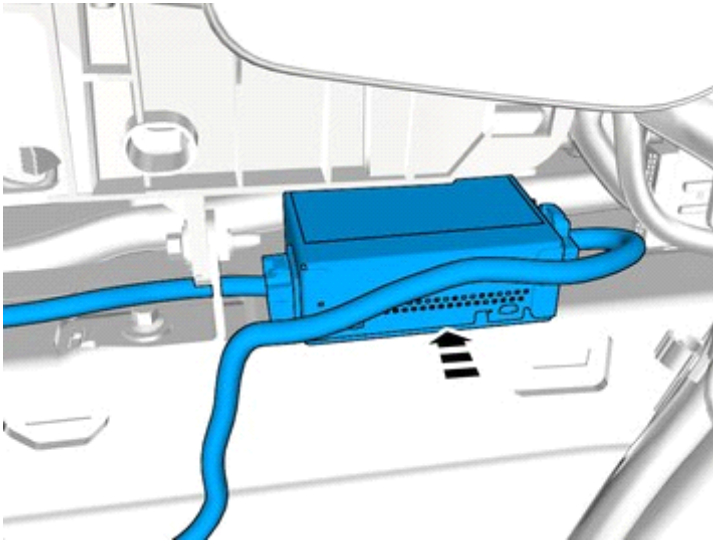
IMG-405926



# Installation instructions, accessories

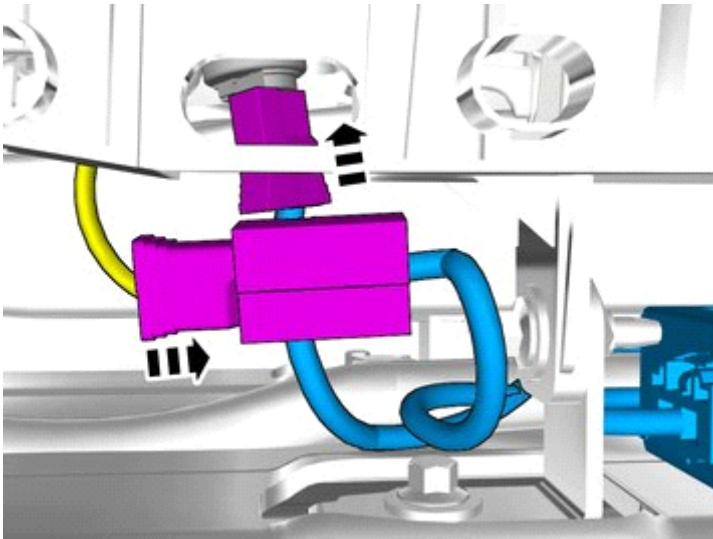
Volvo Car Corporation Gothenburg, Sweden

59



IMG-408205

60



IMG-408255

Connect the connectors.

**Concerns installation of accessories on both seats**

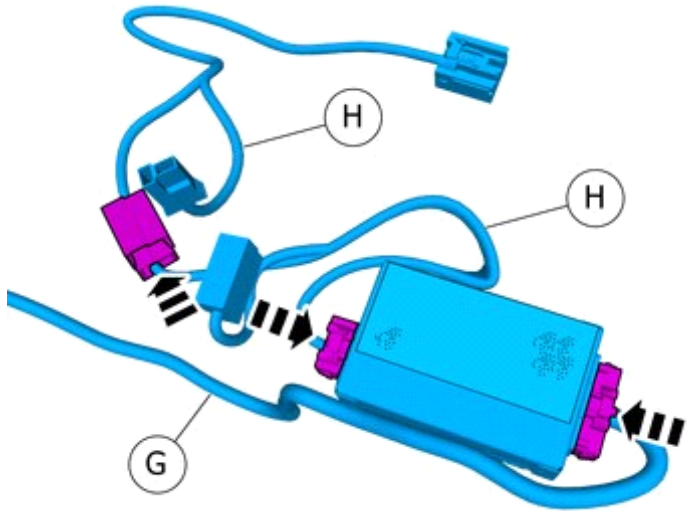


# Installation instructions, accessories

Volvo Car Corporation Gothenburg, Sweden

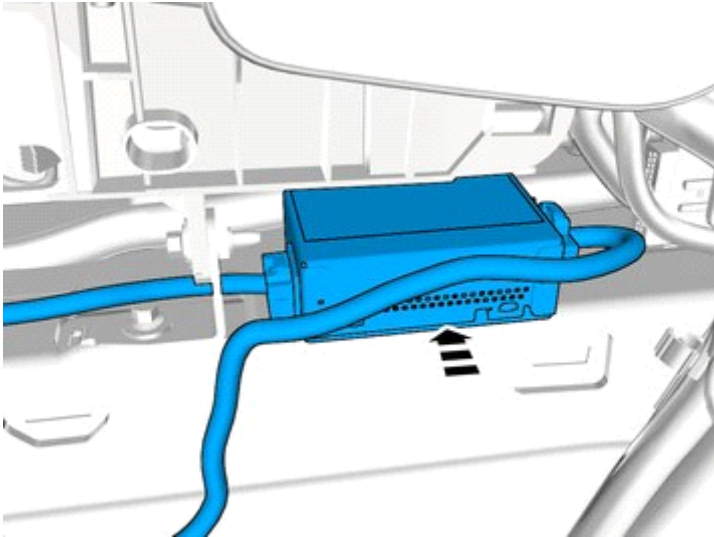
61

Connect the connectors.



IMG-408270

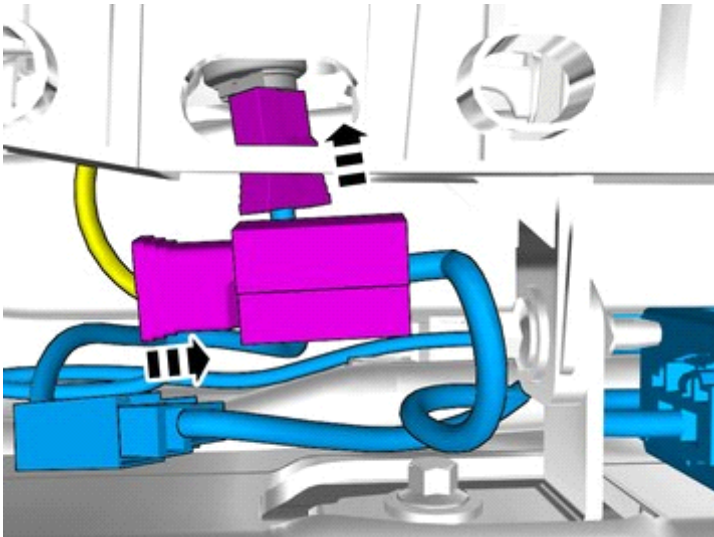
62



IMG-408205

63

Connect the connectors.



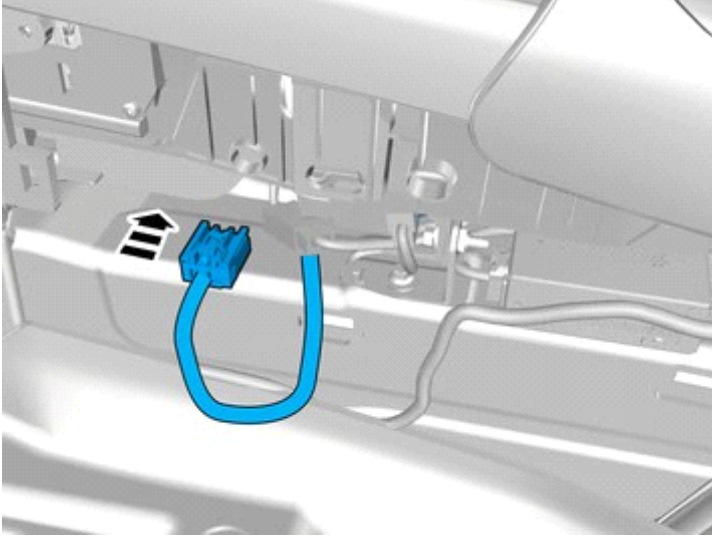
IMG-408256



# Installation instructions, accessories

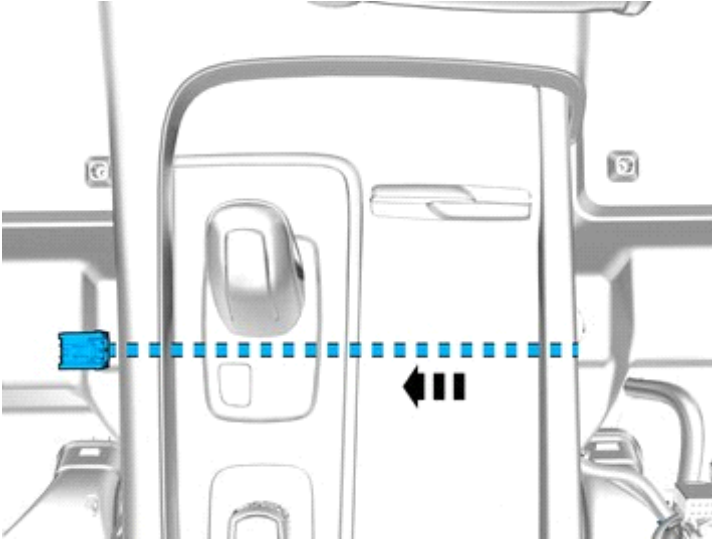
Volvo Car Corporation Gothenburg, Sweden

64



IMG-409285

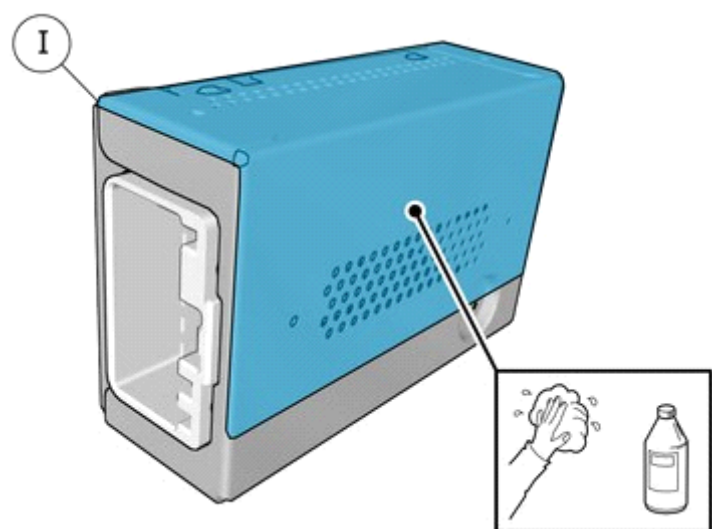
65



IMG-409286

Pull the wiring harness through.

66



Clean the surface.

**Use:** , Isopropanol

IMG-408177



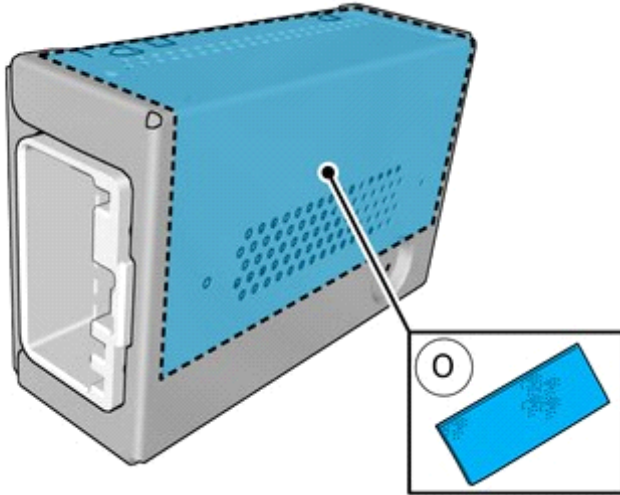


# Installation instructions, accessories

Volvo Car Corporation Gothenburg, Sweden

67

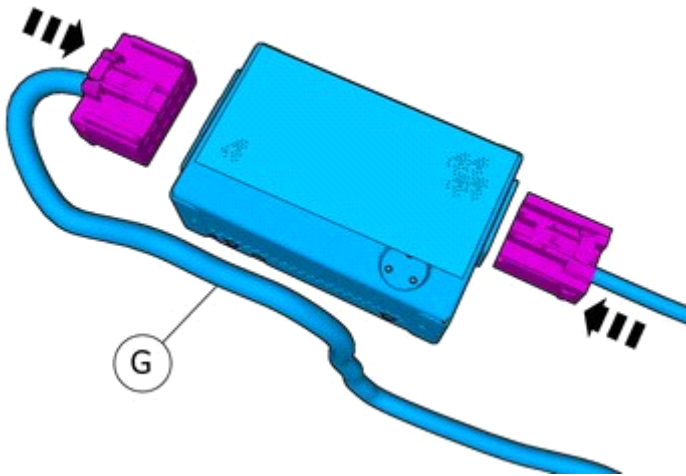
Install component that comes with the accessory kit.



IMG-408190

68

Connect the connectors.



IMG-409311

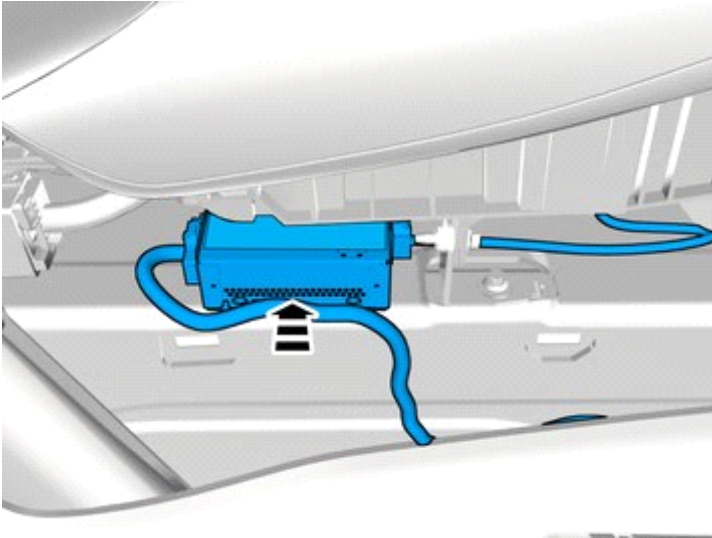




# Installation instructions, accessories

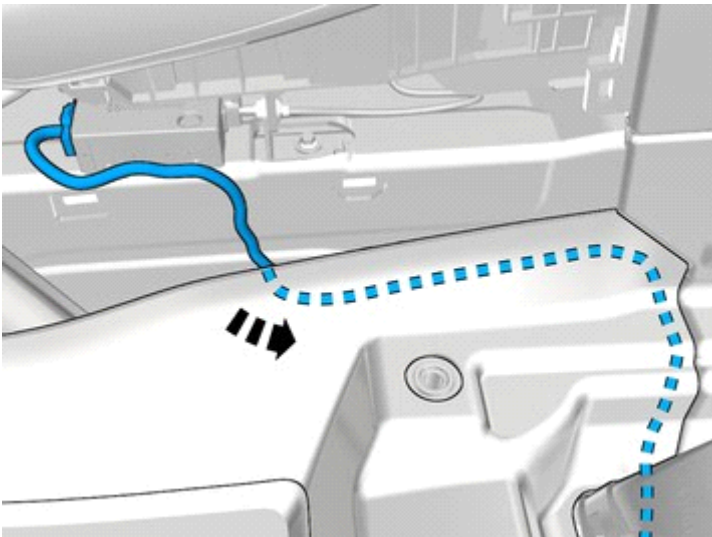
Volvo Car Corporation Gothenburg, Sweden

69



IMG-409315

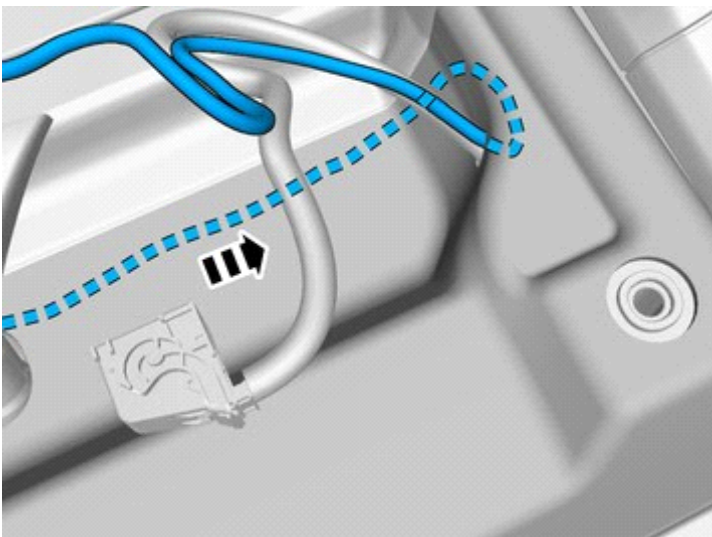
70



IMG-409316

Position/route the cable as illustrated.

71



IMG-406102

Position/route the cable as illustrated.

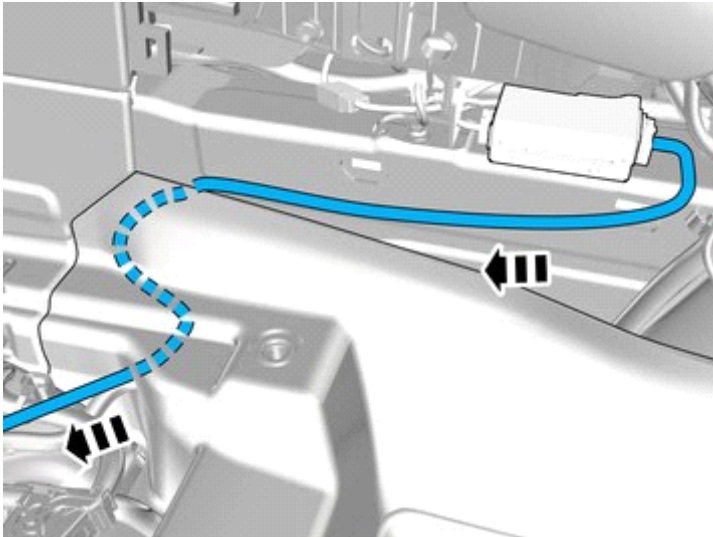


# Installation instructions, accessories

Volvo Car Corporation Gothenburg, Sweden

## All vehicles

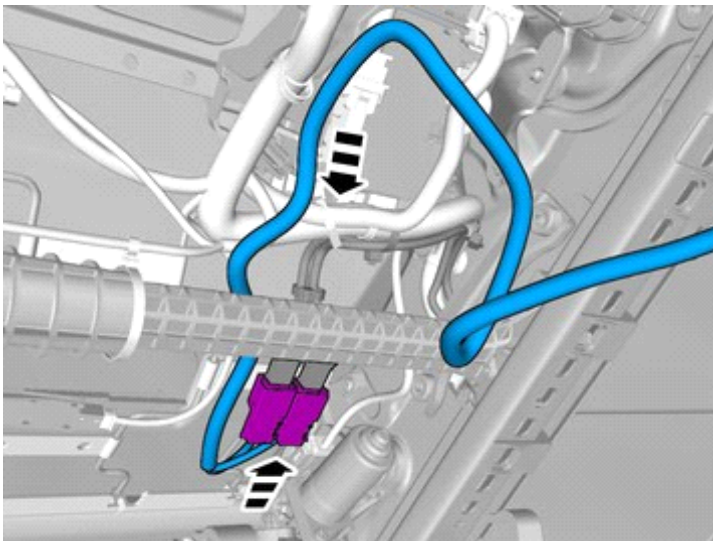
72



IMG-408231

Position/route the cable harness as illustrated.

73



IMG-406016

Position/route the cable harness as illustrated.

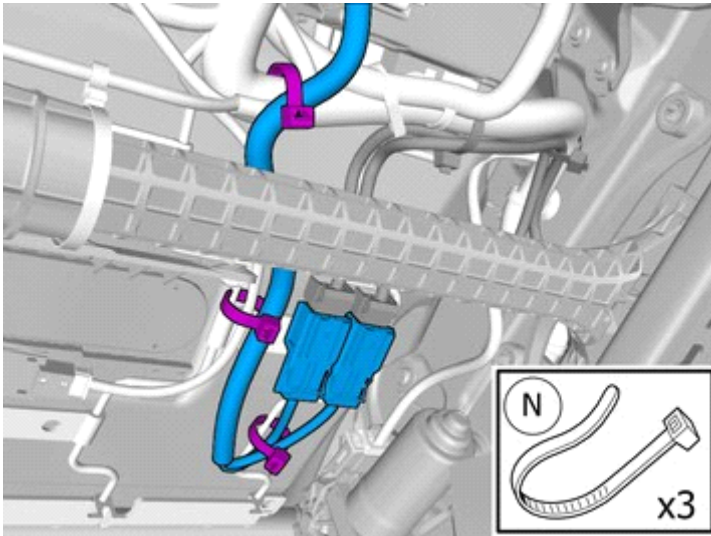
Connect the connectors.



# Installation instructions, accessories

Volvo Car Corporation Gothenburg, Sweden

74



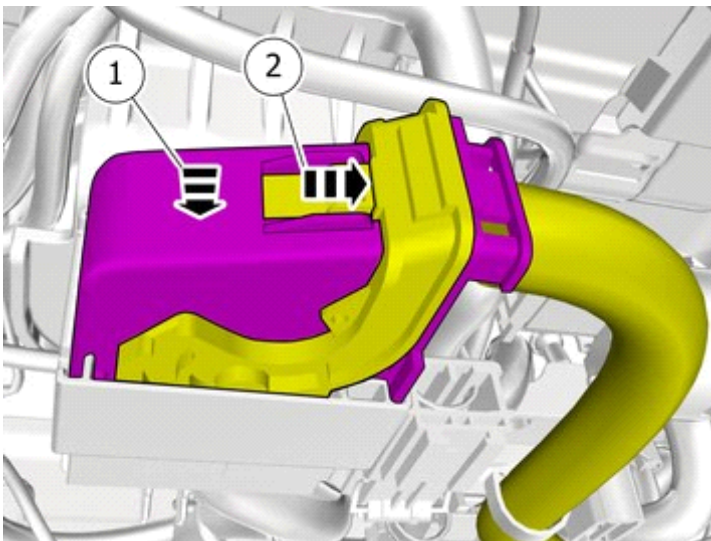
IMG-406060

Route the wires adjacent to existing wirings.

Install the cables.

Use a cable tie

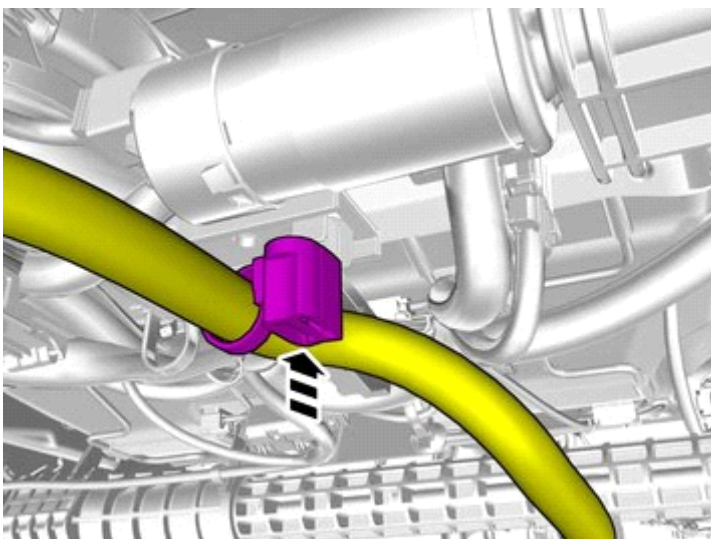
75



IMG-406061

Connect the connector.

76



IMG-406062

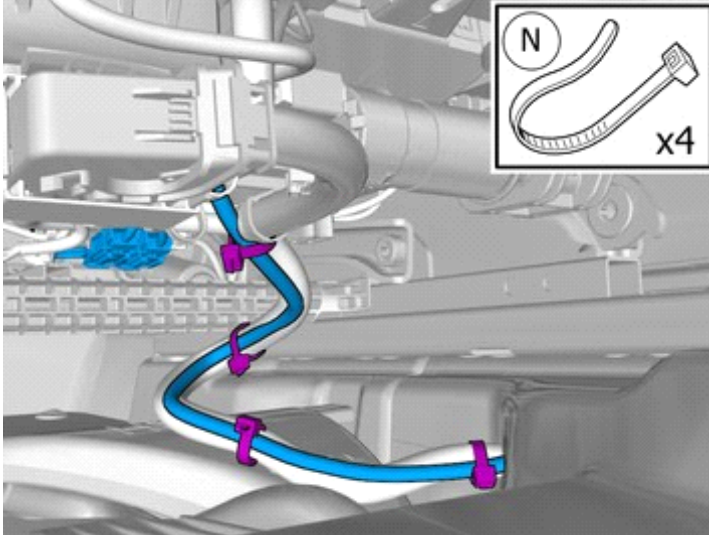
Install the wiring harness.



# Installation instructions, accessories

Volvo Car Corporation Gothenburg, Sweden

77



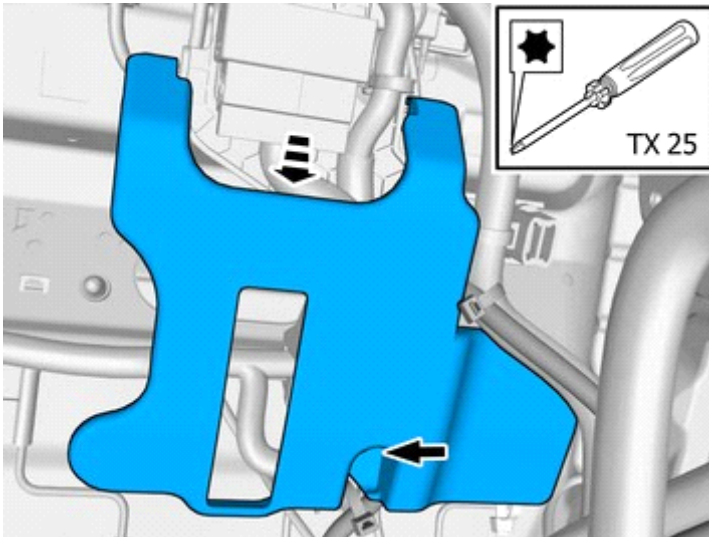
IMG-403730

Route the cable harness to the existing cable harness.

Install the wiring harness.

Use a cable tie

78

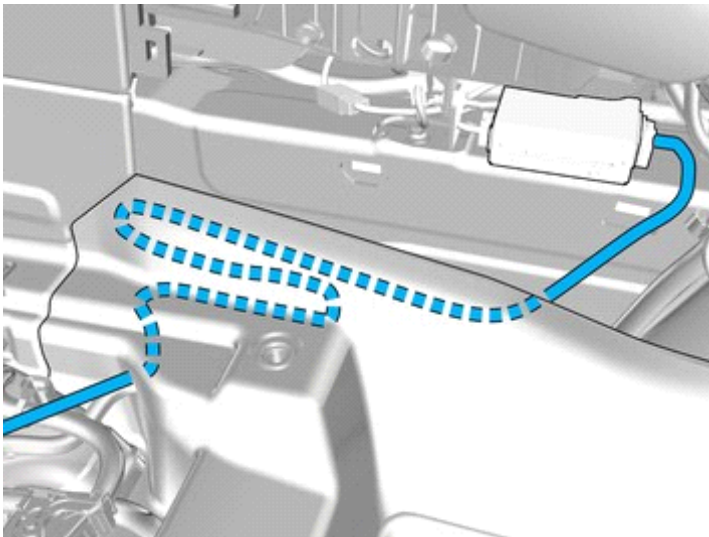


IMG-408610

Reinstall the removed part.

Reinstall the screw.

79



IMG-408235

Place any excess inside the floor carpet.



# Installation instructions, accessories

Volvo Car Corporation Gothenburg, Sweden

---

## Concerns installation of accessories on both seats

---

80

Repeat the steps when installing accessories on opposite side.

IMG-400000

---

## Installation

---

81

Reinstall the removed parts in reverse order.

IMG-400000

---